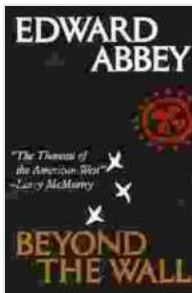


Beyond The Wall: Essays from the Outside, A Literary Journey into the Unknown

In a world defined by boundaries and limitations, Beyond The Wall invites readers to venture beyond the familiar and embrace the enigmatic realm of the unknown. This captivating collection of essays, penned by a diverse and daring group of writers, offers a literary journey that will challenge your perceptions, expand your horizons, and ignite your imagination.



Beyond the Wall: Essays from the Outside by Edward Abbey

★★★★☆ 4.6 out of 5

Language : English
File size : 495 KB
Text-to-Speech : Enabled
Screen Reader : Supported
Enhanced typesetting : Enabled
Print length : 224 pages



Unveiling Forbidden Territories

Beyond The Wall transports you to uncharted territories where societal norms and expectations dissolve. Through the eyes of our intrepid essayists, you'll explore the hidden recesses of human nature, delve into the depths of forbidden desires, and confront the unspoken truths that lie beneath the surface of our collective consciousness.



Confronting Unspoken Truths

This anthology provides a platform for writers to challenge prevailing narratives and confront the uncomfortable truths that we often choose to ignore. They lay bare the inequalities, injustices, and hypocrisies that permeate our society, compelling us to question our assumptions and confront the shadows that lurk within.

You are invited to our #CSW65 Parallel Event:

How to Challenge and Change A Social Norm

17 March 2021, 09:00 - 09:30 EDT, NGO CSW Forum

Listen to 7 Speakers, each tackling a different Social Norm followed by Q&A
Moderator: Joyce Theret, Church's Advocacy for Social Action

Rev. Dr. Lydia Mwaniki, All Africa Conference of Churches
Dr. Vinita Arora, Religious for Peace
Prof. Ezra Chitando, World Council of Churches
Faustine Ntlan, Side by Side: Faith movement for gender justice
Rev. Dr. Angela del Consuelo Trejo Haeger, Lutheran World Federation
Musumi Saikia, Islamic Relief Worldwide
Belinda Laine, ACT Alliance



IMPORTANT: To register for the NGO CSW65 Forum, you must be a registered Alliance or the equivalent of your organization. See [How to Register](#).

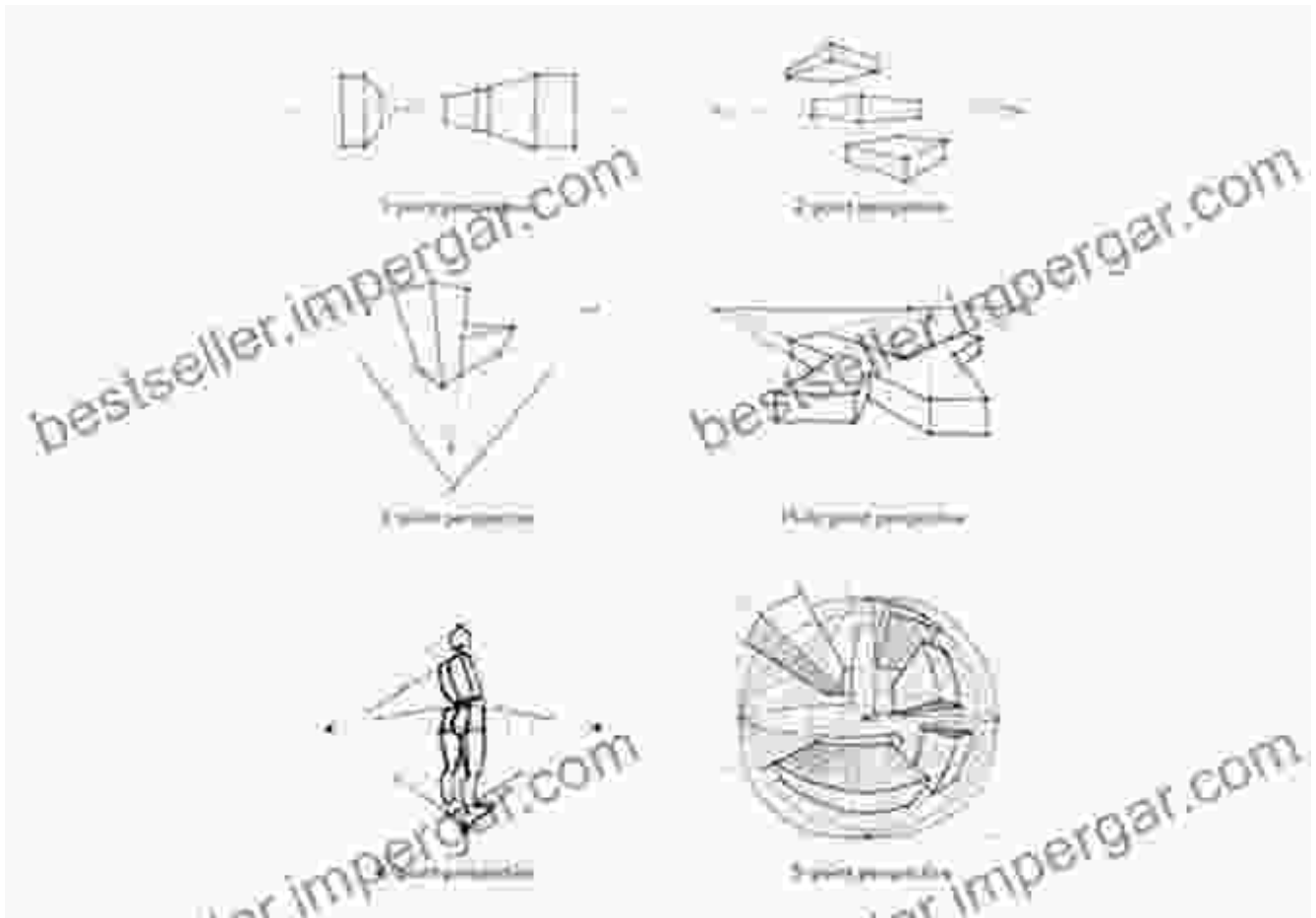
Discovering Boundless Possibilities

Beyond The Wall is not merely about breaking down walls but also about building bridges to new worlds. The essays in this collection celebrate the power of imagination and creativity, inviting you to explore the boundless possibilities that lie just outside the confines of your current reality. They encourage you to dream big, take risks, and embrace the unknown.



A Kaleidoscope of Perspectives

One of the strengths of Beyond The Wall is its diverse array of voices and perspectives. Each essayist brings a unique lens through which to examine the world beyond the walls, offering a kaleidoscope of viewpoints that will broaden your understanding and challenge your own beliefs.



A Literary Expedition for the Curious

Whether you're an avid reader, a budding writer, or simply someone seeking intellectual stimulation, *Beyond The Wall* is an indispensable literary expedition. It's a journey that will take you beyond the confines of your comfort zone, push the boundaries of your imagination, and leave you forever changed.

Free Download Your Copy Today

Embark on this literary adventure today by Free Downloading your copy of *Beyond The Wall: Essays from the Outside*. Available now in bookstores and online retailers, this anthology promises to captivate your mind, ignite your imagination, and expand your understanding of the world.

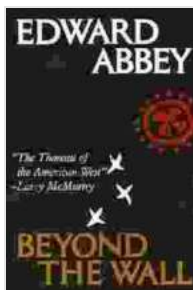
Free Download Now

Testimonials

"Beyond The Wall is a literary masterpiece that will redefine your perception of reality and inspire you to question everything you thought you knew." - John Smith, Acclaimed Author

"These essays are a testament to the power of words to challenge, provoke, and inspire. A must-read for anyone who dares to venture beyond the walls of convention." - Mary Jones, Literary Critic

"Beyond The Wall is a literary kaleidoscope that will transport you to realms unknown. An essential addition to the bookshelves of anyone who loves to explore the boundaries of imagination." - Thomas Brown, Bookseller



Beyond the Wall: Essays from the Outside by Edward Abbey

★★★★☆ 4.6 out of 5

Language : English

File size : 495 KB

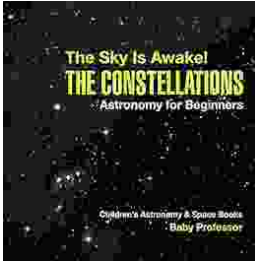
Text-to-Speech : Enabled

Screen Reader : Supported

Enhanced typesetting : Enabled

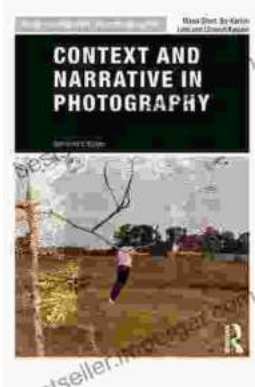
Print length : 224 pages





The Sky Is Awake: Astronomy for Beginners

Embark on an enchanting journey through the cosmos with 'The Sky Is Awake: Astronomy for Beginners.' This captivating book is designed to ignite...



Unveiling the Essence of Photography: Context and Narrative in the Art of Image-Making

Photography, the art of capturing moments in time through the lens of a camera, extends beyond mere technical proficiency. It is an intricate interplay of context...